

Gasoutlet Panel. Product Description.



Product Description

The Gasoutlet Panels are suitable in preparation rooms, emergency rooms and wherever the space is limited on the walls. To save space the terminal units are mounted diagonally above and below each other. The panels are available for recessed and exposed installation. The terminal units are self closing i.e. closing automatically when connected equipment is disconnected.

The terminal units are according to hospital standard, this means that equipment can not be connected to wrong terminal unit. The gas outlets are furnished with a service valve which means that the gas flow will be closed when the outlets are removed for service. The terminal units in the panel are delivered with gaslabels according to standard and protection plug. The Gasoutlet Panel is equipped with built in evacuation ejektor for anesthesia gases, the capacity is adjustable up to 25 lpm.

Recycling

The product shall be recycled according to local regulations.

Technical Description

Max inlet pressure	10 bar
Pipe connection	External Diameter 15 mm
Pressure class	PN 16

Specification, standard product

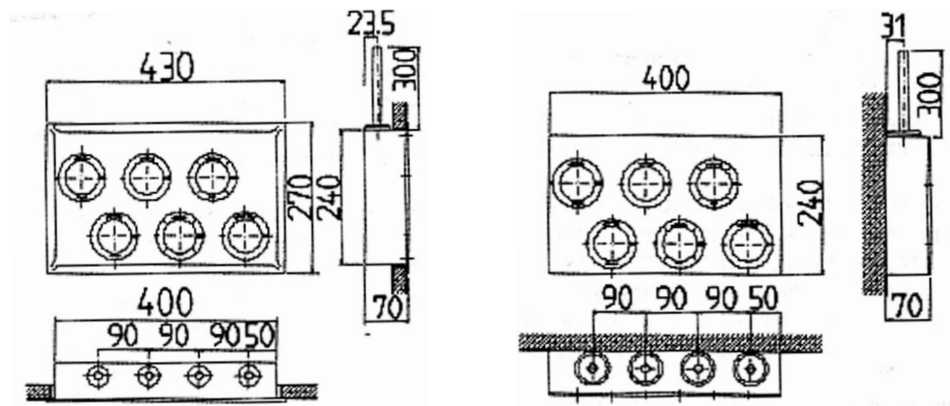
- 2 pcs gasoutlets for Medical Oxygen
- 1 pc gasoutlet for Medical N₂O
- 1 pc gasoutlet for Medical Air
- 1 pc gasoutlet for Evacuation Ejector

Capacity and pressure drop

- The capacity for terminal units depends on the gas type, distribution pressure and accepted pressure drop.
- Evacuation capacity: 25 l/min.

Gas type	Distribution Pressure kPa/bar	Max pressure drop kPa/bar	Capacity lpm
Medical Oxygen	400/4	10/0,1	85
	500/5	10/0,1	85
Medical N ₂ O	300/3	10/0,1	80
	400/4	10/0,1	90
Medical Air	400/4	10/0,1	120
	600/6	10/0,1	130
Vacuum/Gas Evacuation and Gas Outlet	400/4	5/0,05	90
	400/4	5/0,05	90
Instrument Air	700/7	50/0,5	375
	800/8	50/0,5	400

Measurements



Recessed mounting:

Width	430 mm
Height	270 mm
Depth	70 mm

Exposed mounting:

Width	400 mm
Height	240 mm
Depth	70 mm

Article Numbers

Art. No.	Denomination
301448	Recessed Gasoutlet Panel
301440	Exposed Gasoutlet Panel
310918	Nozzle kit 0,4-0,7 (to change suction capacity)

Contact us

Linde Healthcare is committed to working with healthcare providers and regulatory authorities to continuously promote safe use of medical products and improve patient care.

We provide medical gas products, therapies, technical solutions and services to hospitals, clinics, nursing facilities, emergency management services and home healthcare providers around the world.

With our long experience and understanding of healthcare realities, you can depend on solutions that are delivered and serviced to the highest possible standards of quality, safety and efficiency.

AGA Gas AB
 Linde Healthcare, 181 81 Lidingö
 Phone +46 8 731 10 00, www.linde-healthcare.se